

Phase - Neutral Voltages ( $V_{LN}$ )	Phase Current (I)	Active Power (P)	Apparent Power (S)
Phase - Phase Voltages ( $V_{LL}$ )	Cos $\phi$	Reactive Power (Q)	

### Measured Parameters ( RG-T series )

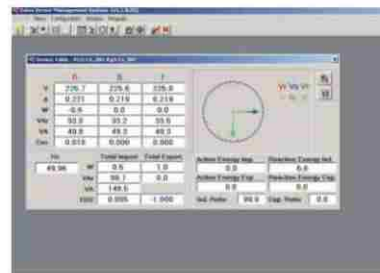
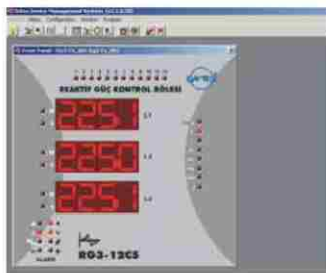
Individual Harmonics for Voltage - up to 19th	Total Harmonic Distortion for Voltage (THD V %)
Individual Harmonics for Current - up to 19th	Total Harmonic Distortion for Current (THD I %)

### Measured Parameters ( RG-B / RG-BS series )

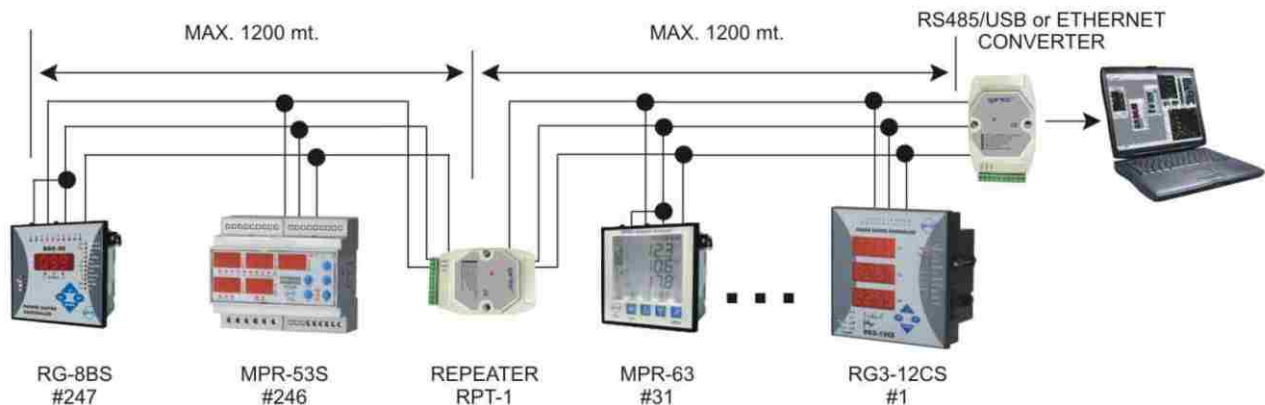
3-Phase Currents (I)	Total Current ( $\Sigma I$ )	Total Active Power ( $\Sigma P$ )	Total Apparent Power ( $\Sigma S$ )	Total Reactive Power ( $\Sigma Q$ )
Active Energy - Import (kWh)	Active Energy - Export (kWh)	Reactive - Capacitive (kVAh L)	Reactive - Inductive (kVAh C)	

### Measured Parameters ( RG3-C / RG-CS series )

Remote Monitoring & Controlling of Power Factor Controllers is done with MPR-SW software :



247 DEVICES CAN BE CONNECTED SERIALLY BY USING REPEATERS

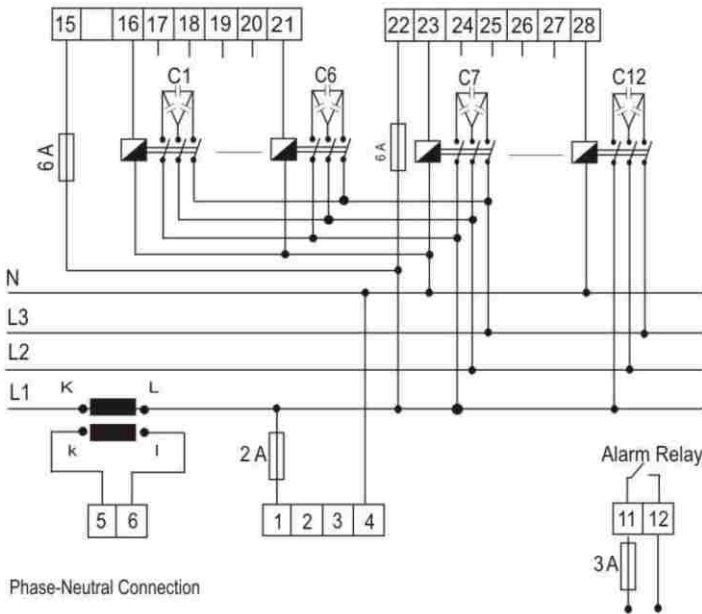


# POWER FACTOR CONTROLLERS

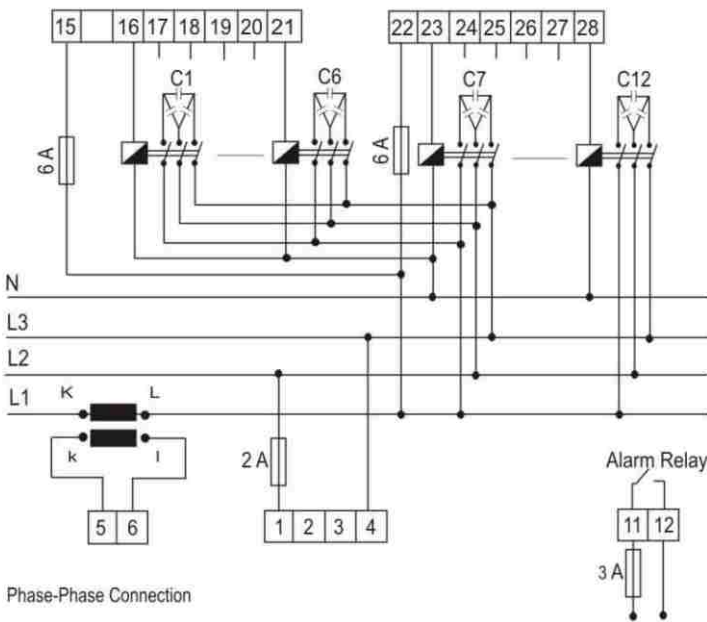
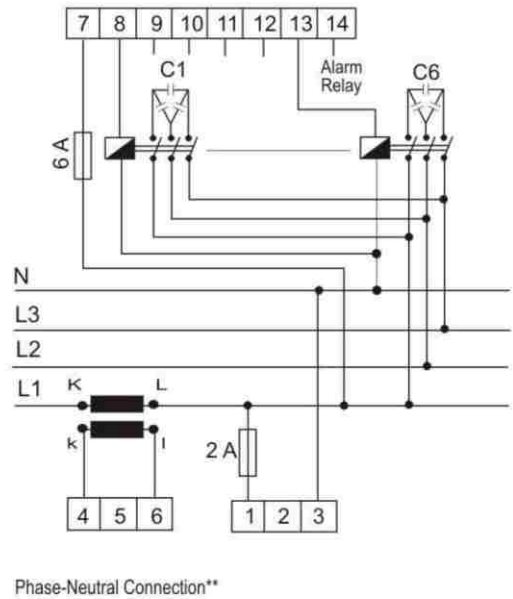
## RG Series

MODELS	(new)		(new)		
	RG-T	RG-B	RG-BS	RG3-C	RG3-CS
<b>SPECIFICATIONS</b>					
<b>Electrical Parameters</b>					
Operating Voltage (U <sub>n</sub> )	110 V AC* / 230 V AC ±10%; 50 / 60 Hz				
Operating Current	100 mA - 5,5 A				
Capacitor Steps	6, 8, 12	8		12	
Network Type	Single-phase 1 CT			3-phase 3 CTs (3 phase / 4 wires)	
Accuracy	1% ±1 digit (V, I, cosφ) ; 2% ±1 digit (W, VAr, VA)				
Current Transformer Ratio	5...10000 / 5A				
Power Consumption	< 2 VA (Current Circuit) < 3 VA - 10 VA (Voltage Circuit)				
cosφ Setting	0,8 < Cosφ <1 (inductive)	0,8 < Cosφ <1 (inductive / capacitive)			
Dual Target cosφ (for mains and generator)	-			●	
C/k Setting	0,02 - 1,00			-	
Automatic Energy Correction	-	●			
Automatic Disconnection of Damaged Capacitor Steps	-	●			
Time Delay Between Steps	2-1.800 sec. (for switch on / off separately)	1-1.800 sec. (for switch on / off separately)			
Discharge Time (Reconnection Time)	2-1.800 sec.	1-1.800 sec.			
Over Voltage Setting	-	240 - 275 V AC			
Output Contact	-	3 A, 750 VA			
Display	Red LED, 14 mm Height (144x144 mm) / 10 mm Height (96x96 mm)				
Harmonic Measurement	-	Up to 19th harmonic for current and voltage separately			
Programmable THD-I and THD-V Alarm	-	●			
Programmable Discharge Time	-	●			
Programmable Over Voltage Alarm	-	●			
Automatic Power Calculation	-	●			
Programmable Energy Ratio Alarm (Inductive/Active) / (Capative/Active)	-	●			
Energy Measurement	-	●			
Compensation of Each Phase	-	●			
Displaying Parameters for Each Phase	-	●			
Password Protection for Setup	-	●			
RS-485 Communication	-	●	-	●	
Alarm Contact Output (Over Voltage, Harmonic)	-	●			
Over Heat Protection	-	○			
Fan Contact Output	-	○			
<b>Mechanical Parameters</b>					
Equipment Protection	Double Insulation ( <input type="checkbox"/> ), Measurement Category III				
Ambient Operating Temperature	-5°C, +55°C				
Ambient Humidity	95%				
Degree of Protection	IP40 (front panel)				
Connection / Installation	Terminal / Flush-mounting with rear terminals				
Dimensions	144x144mm (PR16); 96x96mm (PR19)-only for 8 steps RG-8B/BS				
Packing Weight	0,9 kg (PR16) ; 0,6 kg (PR19) - only for 8 steps RG-8B/BS				
Quantity in 1 package	4 pcs (PR16) ; 12 pcs (PR19) - only for 8 steps RG-8B/BS				

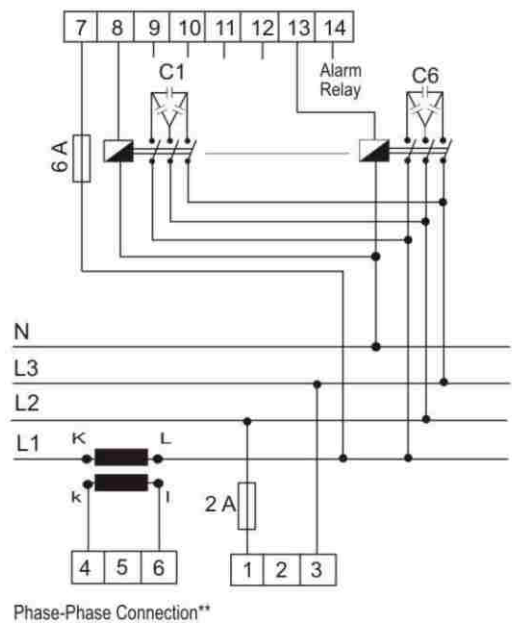
**Connection Diagram**



**RG-T**



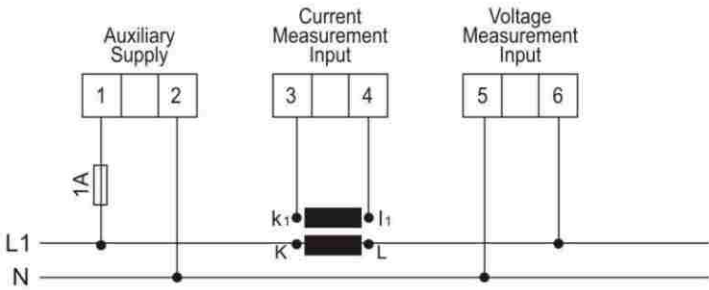
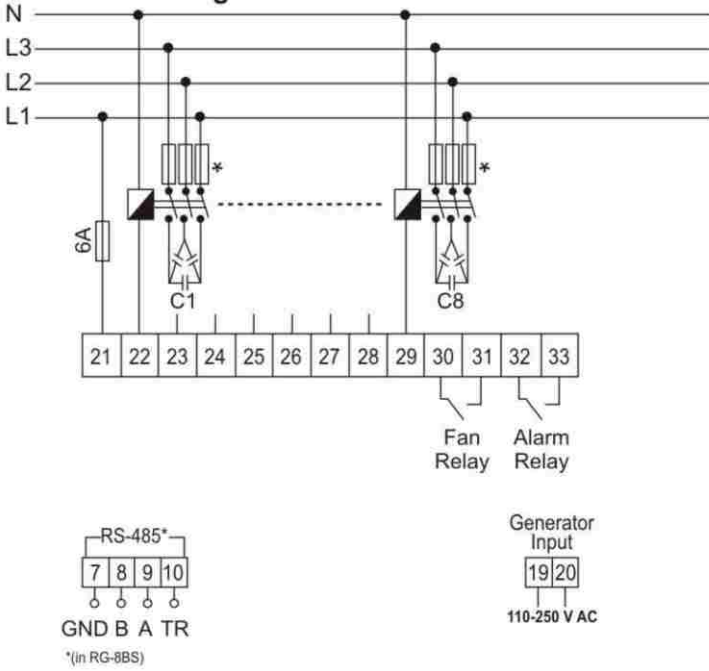
**RG-T**



# POWER FACTOR CONTROLLERS

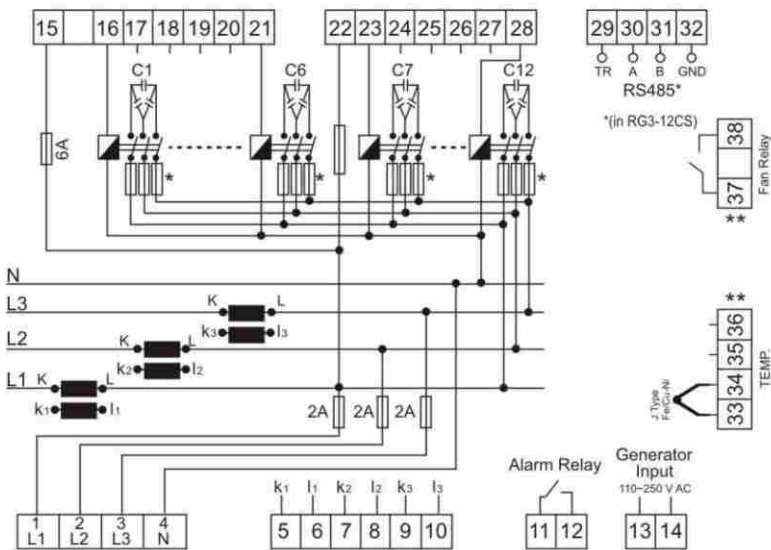
## RG Series

### Connection Diagram



\* Current value of 3-Fuses, which are connected to protect the capacitors, is chosen according to the nominal current value of capacitors.

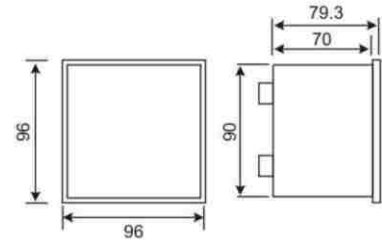
### RG8-BS



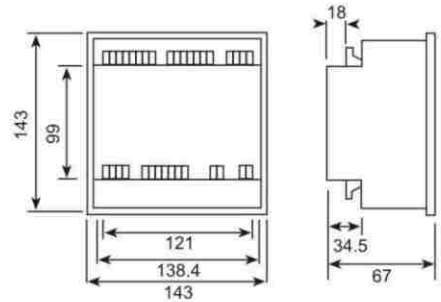
### RG3-12CS

\*\* Optional

### Dimensions



TYPE PR 19



TYPE PR 16

Connection diagrams are given for reference. Please always check the latest user manual given with product or download from [www.entec.com.tr](http://www.entec.com.tr).



EPM-34

- .../5A and .../1A
- 24-240V AC/DC
- Dual Demand
- Class 0,5
- IP54



EVM-35

- 24-240V AC/DC
- Class 0,5
- IP54

Product Code

Product Code	3 - Voltage	3 - Current	Cosφ	Hz (Frequency)	I neutral	Demand	Dual Demand*	Max. Values	Min. Values	Alarm Contact	Under / Over Voltage Protection	Under / Over Current Protection	Under / Over Frequency Protection	RS-485 Comm.	.../5A	.../1A	CT-25 (120A)	4 Digits Display	5 Digits Display	24-250V AC/DC	Flush Mount	Rail Mount	Pcs / Carton	
EPM-04 -96	•	•		•	•	•		•	•						•		•						12	
EPM-04 -DIN	•	•		•	•	•		•	•						•		•						•	12
EPM-04C-96 (new)	•	•		•	•	•		•	•	•	•	•	•		•		•						•	12
EPM-04C-DIN (new)	•	•		•	•	•		•	•	•	•	•	•		•		•						•	12
EPM-04CS-96 (new)	•	•		•	•	•		•	•	•	•	•	•		•		•						•	12
EPM-04CS-DIN (new)	•	•		•	•	•		•	•	•	•	•	•		•		•						•	12
EPM-06 -96	•	•	•	•		•		•	•						•		•						•	12
EPM-06 -DIN	•	•	•	•		•		•	•						•		•						•	12
EPM-06C-96 (new)	•	•	•	•		•		•	•	•	•	•	•		•		•						•	12
EPM-06C-DIN (new)	•	•	•	•		•		•	•	•	•	•	•		•		•						•	12
EPM-06CS-96 (new)	•	•	•	•		•		•	•	•	•	•	•		•		•						•	12
EPM-06CS-DIN (new)	•	•	•	•		•		•	•	•	•	•	•		•		•						•	12
EPM-34 -96 (new)		•					•								•	•		•					•	12
EVM-35 -96 (new)	•																						•	12

\*Dual Demand: 1<sup>st</sup> Demand is in terms of minutes;  
2<sup>nd</sup> Demand is in terms of seconds

• Optional - Min. Order Quantity is 200pcs/device.



EPM-06-DIN

- MD  
Max. Demand
- Modbus
- Alarm Contact



EPM-06C-96

